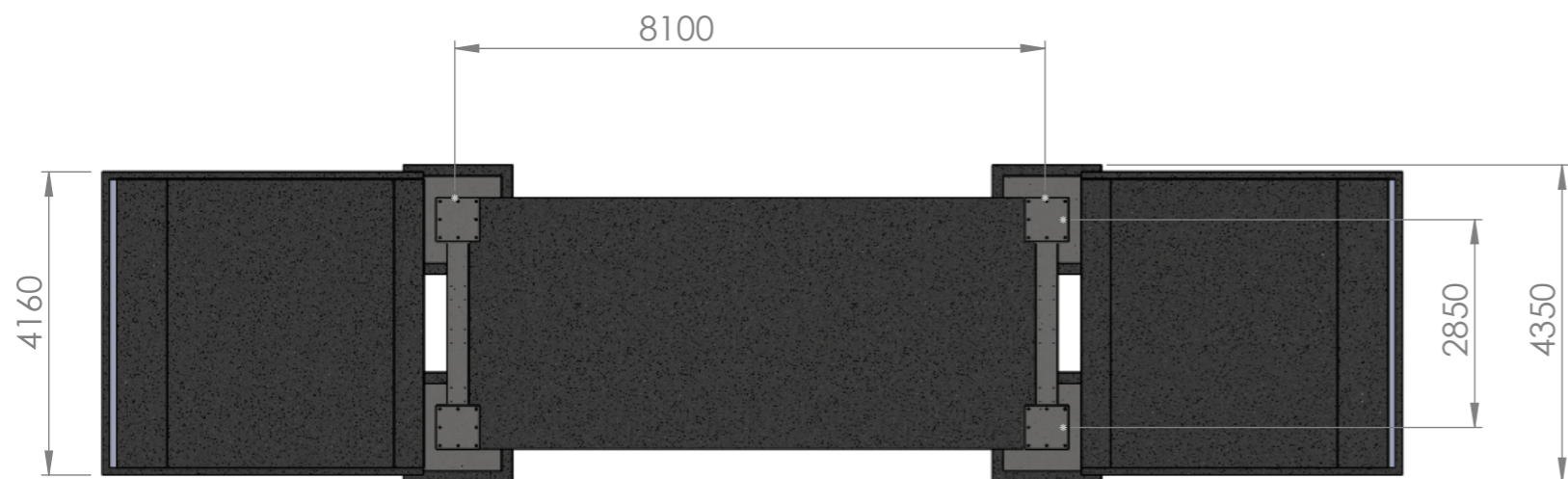
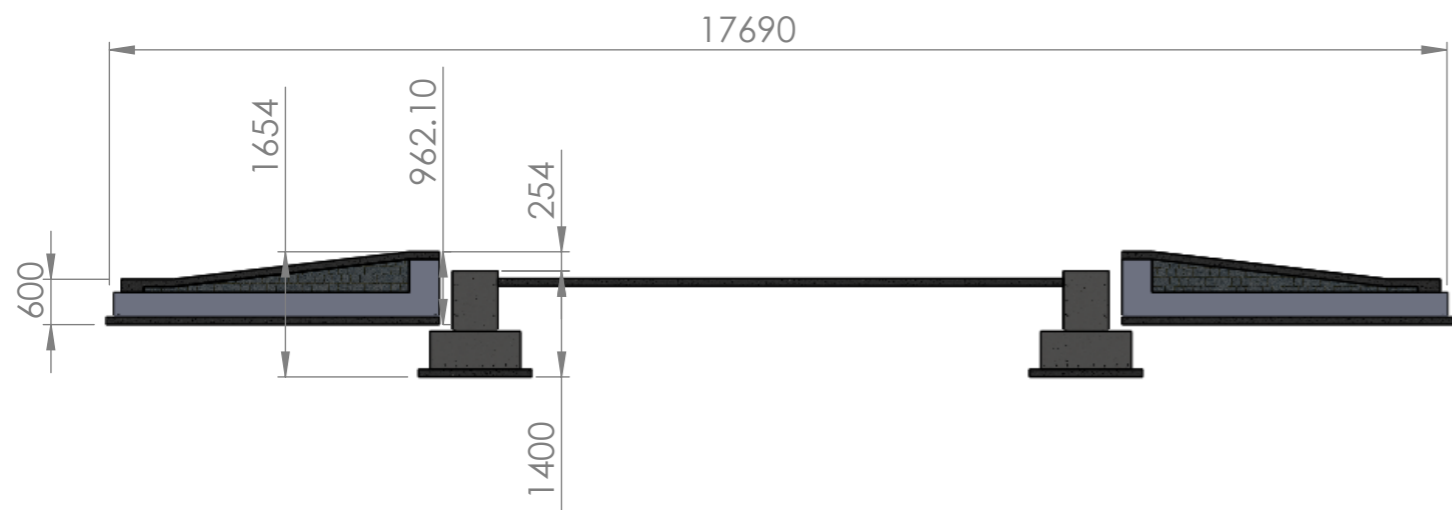
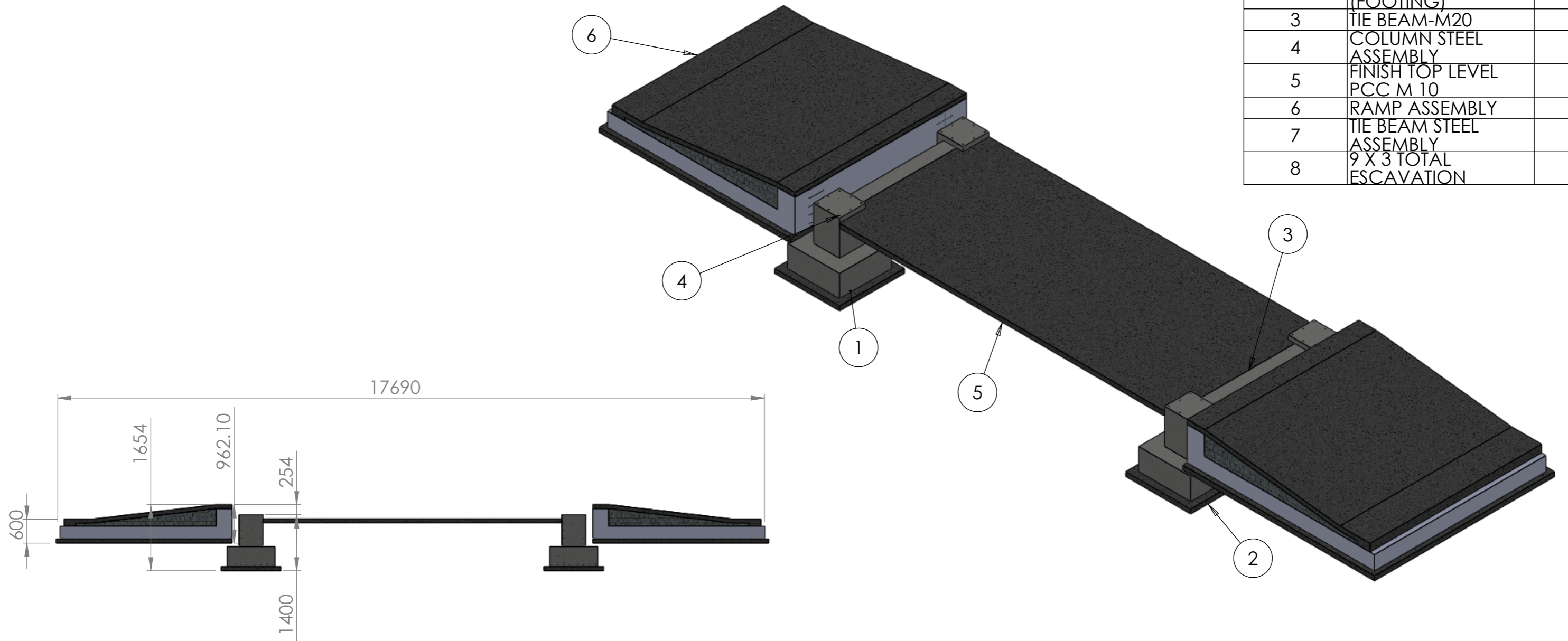


ITEM NO.	PART NUMBER	QTY.
1	FOOTING WITH COLUMN-M20	4
2	PCC-M15 (FOOTING)	4
3	TIE BEAM-M20	2
4	COLUMN STEEL ASSEMBLY	4
5	FINISH TOP LEVEL PCC M 10	1
6	RAMP ASSEMBLY	2
7	TIE BEAM STEEL ASSEMBLY	2
8	9 X 3 TOTAL ESCAVATION	1



UNLESS OTHERWISE SPECIFIED: DIMENSIONS ARE IN MILLIMETERS SURFACE FINISH: TOLERANCES: LINEAR: ANGULAR:				FINISH:	DEBUR AND BREAK SHARP EDGES	DO NOT SCALE DRAWING	ITEM CODE
						I-ANGLE PROJECTION	
						SANSUI WEIGHBRIDGE	
DRAWN	NAME BS	SIGNATURE	DATE 11/12/2010				
CHK'D	NAME BS	SIGNATURE	DATE 11/12/2010	MATERIAL:			
APPV'D				QUANTITY:			
Q.A				Revision Detail		DWG NO.	
REVISION NO	MADE BY	SIGNATURE	DATE			9 X 3 PIT TYPE	
						SCALE:1:200	
						SHEET 1 OF 1	